

Order #:

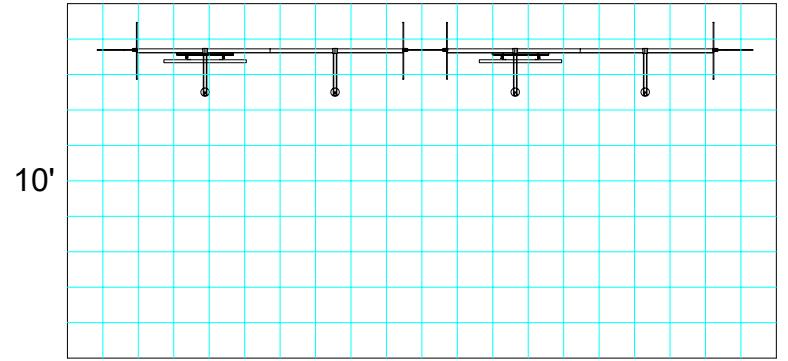
-

Distributor:

-

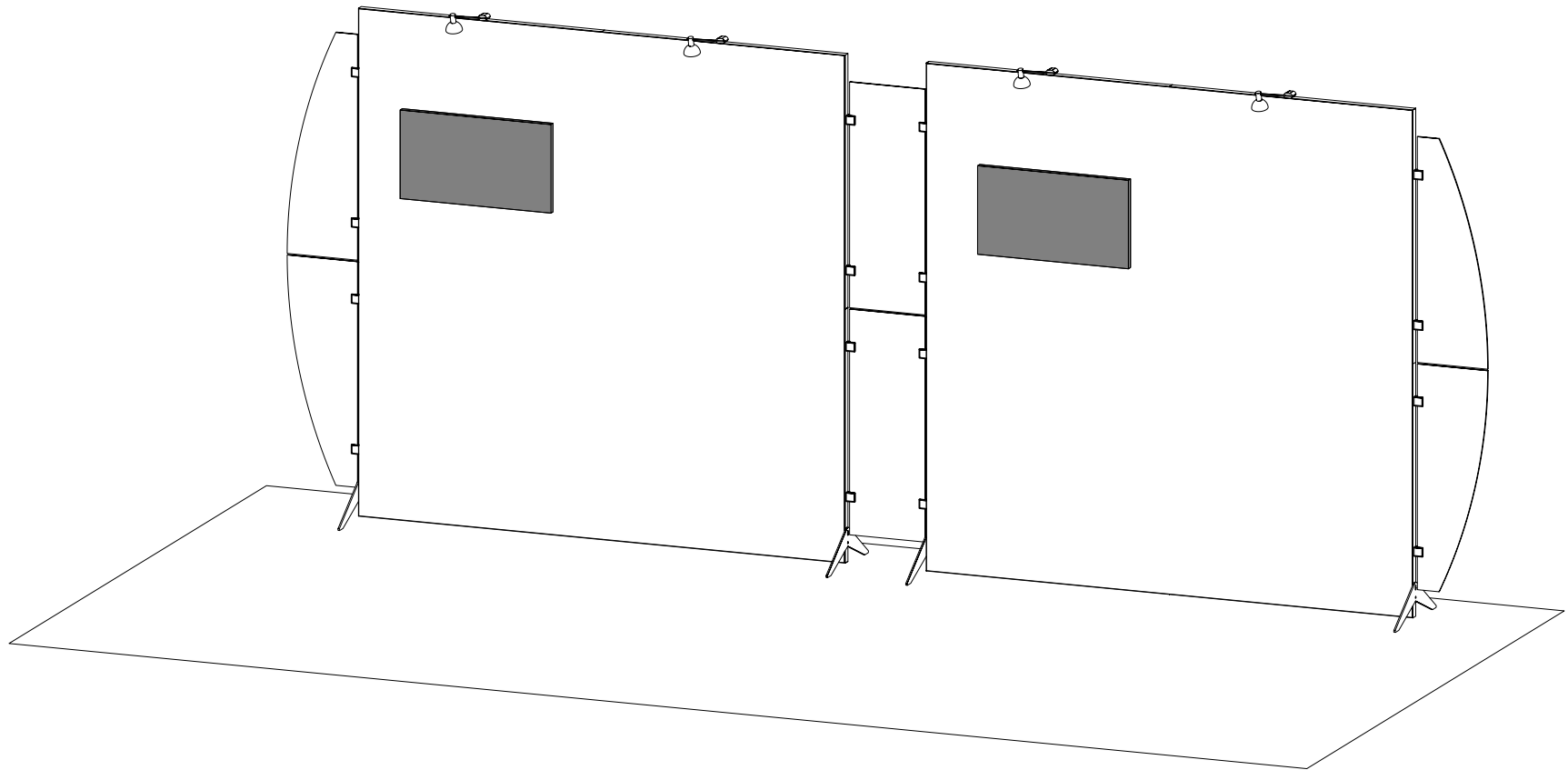
Client:

RE 2044



10'

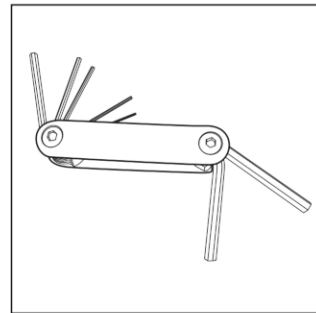
20'



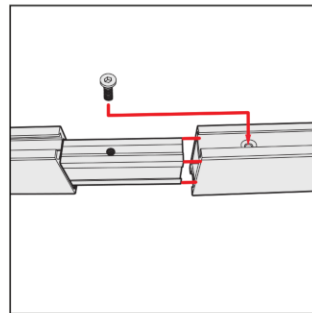
- Read entire setup instruction manual prior to unpacking parts and pieces.
- The setup instructions are created specifically for this configuration.
- Setup instructions are laid out sequentially in steps, including exploded views with detailed explanation for assembly.

Cleaning & Packing

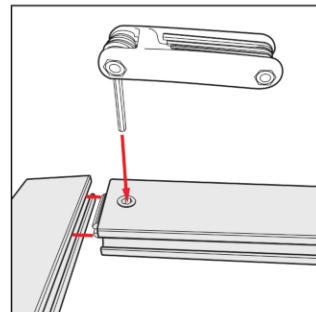
- For Cleaning Metal, Plex, & Laminate Parts: Use a **MILD NON-ABRASIVE** cleanser and soft cloth/paper towel to clean all surfaces.
- Keep exhibit components away from heat and prolonged sun exposure.
Heat and UV exposure will warp and fade components.
- Retain all provided Packing Materials. All provided packing materials are for ease of repacking & component protection.



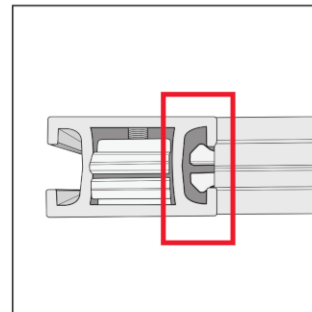
Hex Tool - Essential for Assembly



Spline Connection



Extrusion & Lock Connection



Engaged Lock



WARNING



DO NOT USE POWER TOOLS



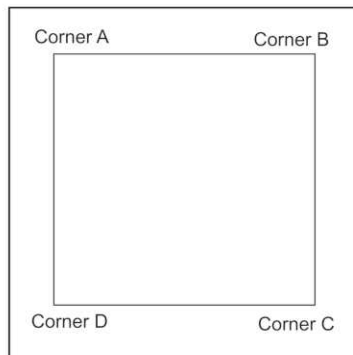
LADDERS OR LIFTS
MAY BE REQUIRED



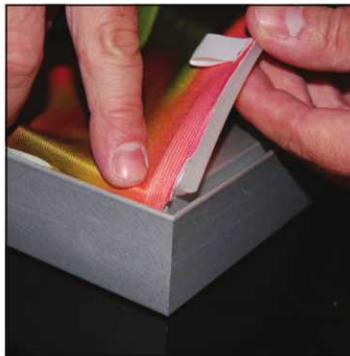
ALL CONNECTIONS MUST
BE TIGHTLY SECURED

Disassembly

- For loss prevention, tighten all set screws and locks during disassembly.



It is important to first insert graphic into each alternate corner then to the sides of the frame. If this is not done, graphic will not fit into the frame correctly.



Step 1

Insert corner A. Turn edge of graphic so silicon welt is perpendicular to face of graphic. Insert narrow side of welt with fabric to outside into the channel. Repeat for other side of this corner.



Step 2

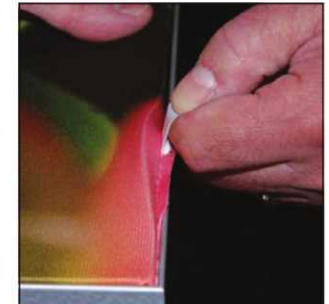
Repeat Step 1 for opposite corner C, then insert corner B, followed by corner D, to complete the installation of the corners.



Step 3

Once all corners are inserted, press one silicon edge into channel from corners and work toward the center. Make sure welt is fully inserted into channel. Continue until all sides are done. Smooth out edges of graphic.

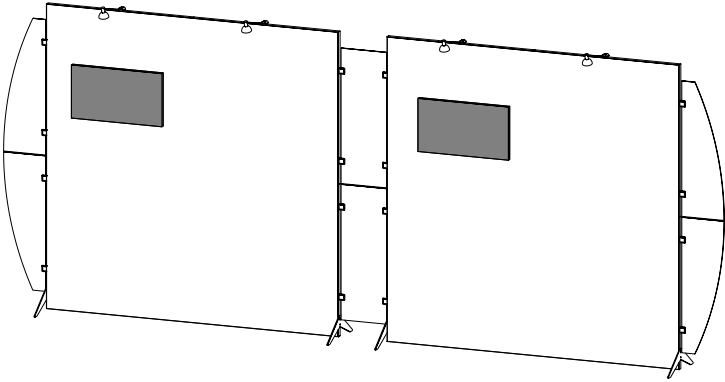
Graphic Removal



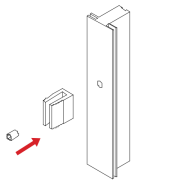
To remove the graphic from the frame, locate the fabric pull tab. Gently pull up on the tab to remove the fabric.

Order #:	Distributor:	Client:
-	-	RE 2044

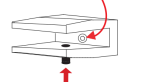
Label:	Qty:	Size:	Description:
A1)	1	45" 90/45 Miter	TSP 46 Horizontal Extrusion
A2)	1	45" 45/90 Miter	TSP 46 Horizontal Extrusion
A3)	1	45" 90/45 Miter	TSP 46 Vertical Extrusion
A4)	1	45" 45/90 Miter	TSP 46 Vertical Extrusion
A5)	1	45" 90/45 Miter	TSP 46 Horizontal Extrusion
A6)	1	45" 45/90 Miter	TSP 46 Horizontal Extrusion
A7)	1	45" 90/45 Miter	TSP 46 Vertical Extrusion
A8)	1	45" 45/90 Miter	TSP 46 Vertical Extrusion
A9)	1	43"	Z45 Vertical Extrusion
A10)	1	43.5"	Z45 Vertical Extrusion
A11)	1	43"	Z45 Vertical Extrusion
A12)	1	43.5"	Z45 Vertical Extrusion
A13)	2	6" x 20"	Boomerang Baseplate



A10 Clamp Attachment

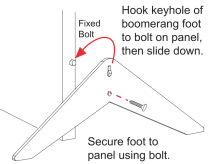


Screw A10 clamp to Vertical Extrusion.



Tighten knob to secure Wing in place.

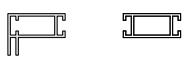
*** Boomerang Foot Attachment**



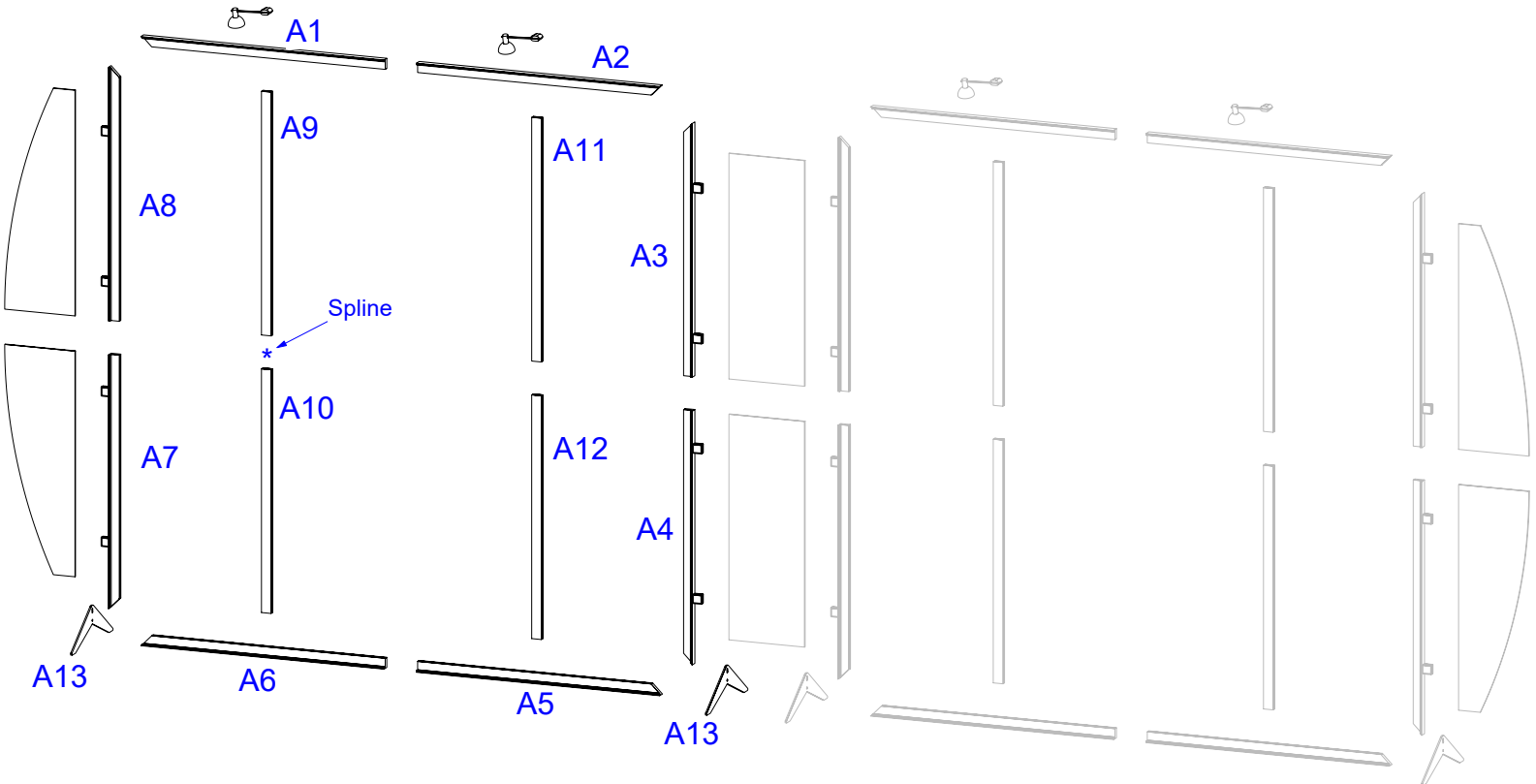
Hook keyhole of boomerang foot to bolt on panel, then slide down.

Secure foot to panel using bolt.

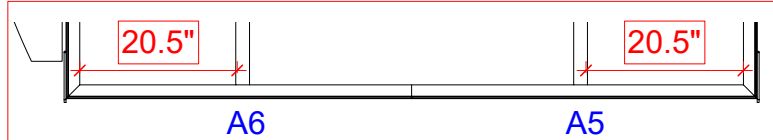
PROFILES



TSP 46 Z45

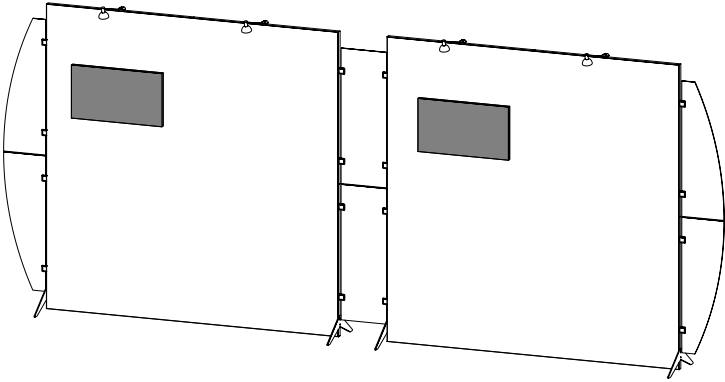


NOTE: Z45 supports installed 20.5" from inside edge of TSP 46

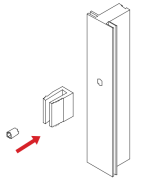


Order #:	Distributor:	Client:
-	-	RE 2044

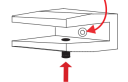
Label:	Qty:	Size:	Description:
B1)	1	45" 45/90 Miter	TSP 46 Horizontal Extrusion
B2)	1	45" 90/45 Miter	TSP 46 Horizontal Extrusion
B3)	1	45" 45/90 Miter	TSP 46 Vertical Extrusion
B4)	1	45" 90/45 Miter	TSP 46 Vertical Extrusion
B5)	1	45" 45/90 Miter	TSP 46 Horizontal Extrusion
B6)	1	45" 90/45 Miter	TSP 46 Horizontal Extrusion
B7)	1	45" 45/90 Miter	TSP 46 Vertical Extrusion
B8)	1	45" 90/45 Miter	TSP 46 Vertical Extrusion
B9)	1	43"	Z45 Vertical Extrusion
B10)	1	43.5"	Z45 Vertical Extrusion
B11)	1	43"	Z45 Vertical Extrusion
B12)	1	43.5"	Z45 Vertical Extrusion
B13)	2	6" x 20"	Boomerang Baseplate



A10 Clamp Attachment

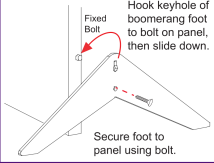


Screw A10 clamp to Vertical Extrusion.



Tighten knob to secure Wing in place.

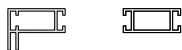
*** Boomerang Foot Attachment**



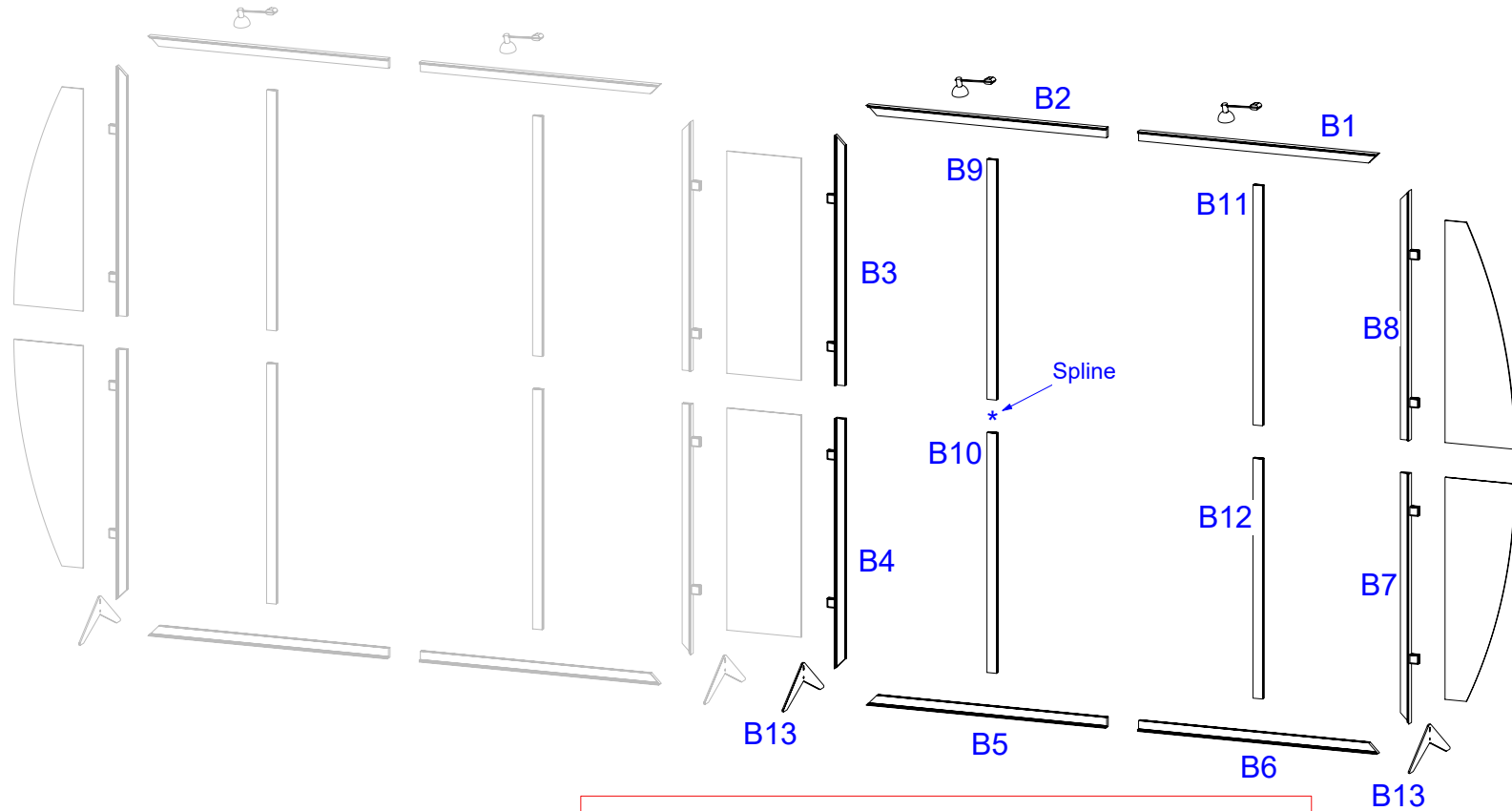
Hook keyhole of boomerang foot to bolt on panel, then slide down.

Secure foot to panel using bolt.

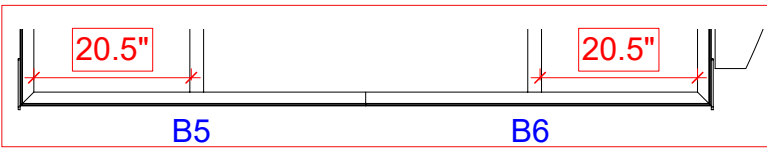
PROFILES



TSP 46 Z45



NOTE: Z45 supports installed 20.5" from inside edge of TSP 46



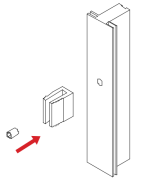
Order #:

Distributor:

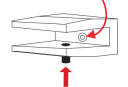
Client:

RE 2044

A10 Clamp Attachment

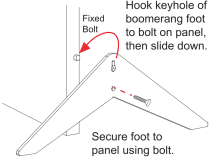


Screw A10 clamp to Vertical Extrusion.



Tighten knob to secure Wing in place.

★ Boomerang Foot Attachment



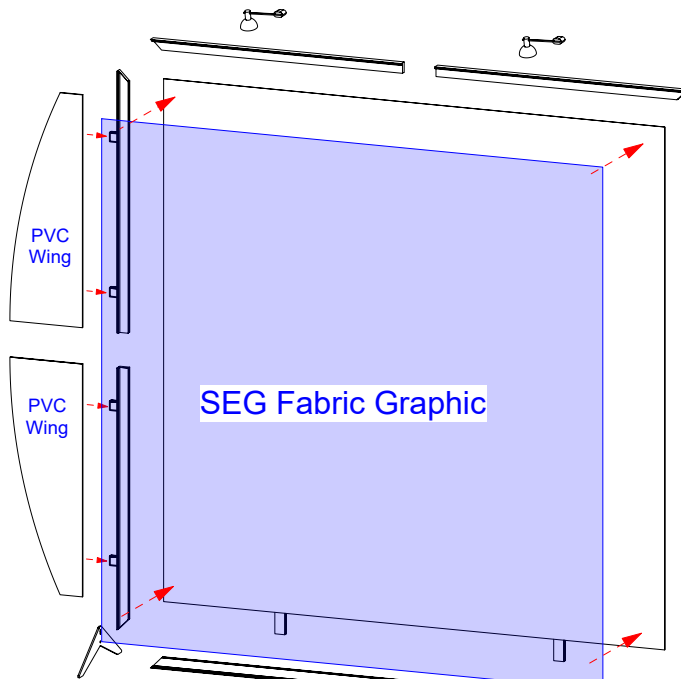
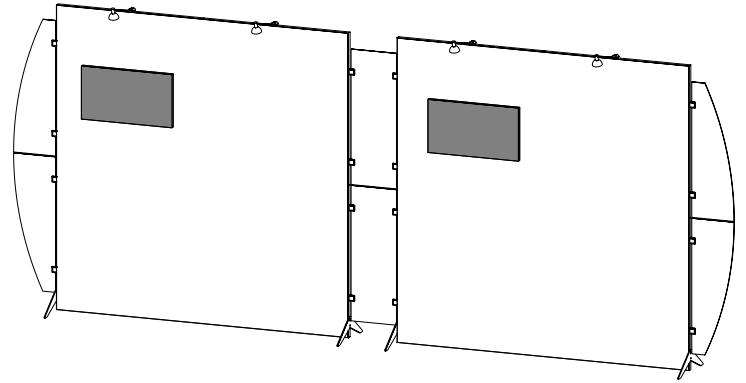
Hook keyhole of boomerang foot to bolt on panel, then slide down.

Secure foot to panel using bolt.

PROFILES



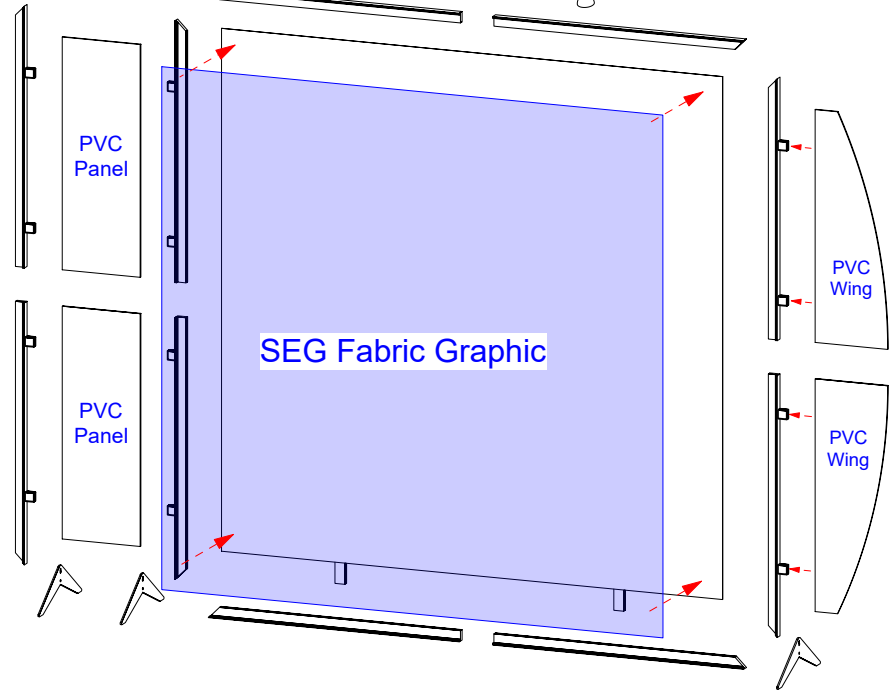
TSP 46 Z45



PVC Wing

PVC Wing

SEG Fabric Graphic



PVC Panel

PVC Panel

PVC Wing

PVC Wing

NOTE: MONITOR MOUNTS TO BE INSTALLED AFTER SEG GRAPHICS

